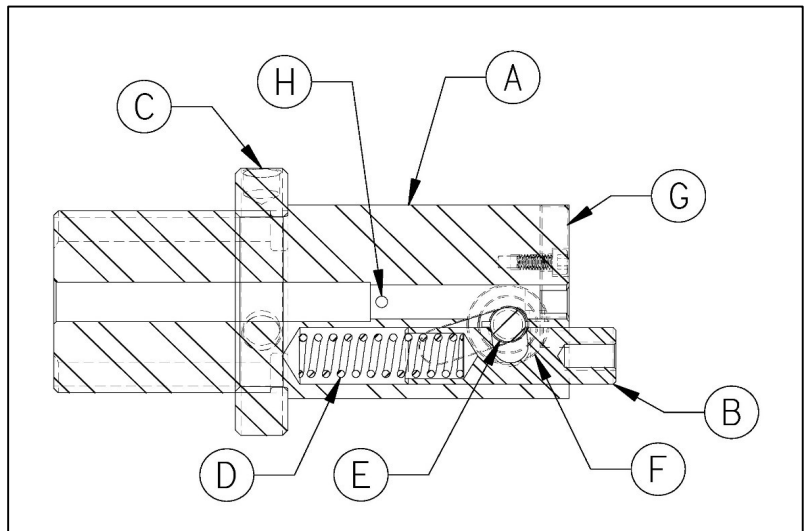




**AMERICAN**  
BROACH & MACHINE CO

535 S. Mansfield St.  
Ypsilanti, Michigan 48197 USA  
tools@americanbroach.com



Puller Size	PH Number	A	B	C	D	E	F	G	H
		BODY	PLUNGER	NUT	SPRING	PIN	LOCK NUT	KEY	PIN
0.109	1948-109	1948-1-109	6052-3	1918-7	1918-5	6052-2	6052-4	1071-2	1918-6
0.125	1948-125	1948-1-125							
0.156	1948-156	1948-1-156							
0.188	1948-188	1948-1-188							
0.203	1948-203	1948-2-203							
0.218	1948-218	1948-2-218							
0.234	1948-234	1948-2-234							
0.250	1948-250	1948-2-250							
0.281	1948-281	1948-2-281							
0.312	1948-312	1948-3-312							
0.343	1948-343	1948-3-343							
0.375	1948-375	1948-3-375							
0.406	1948-406	1948-4-406							
0.437	1948-437	1948-4-437							
0.468	1948-468	1948-4-468							
0.500	1948-500	1948-5-500							