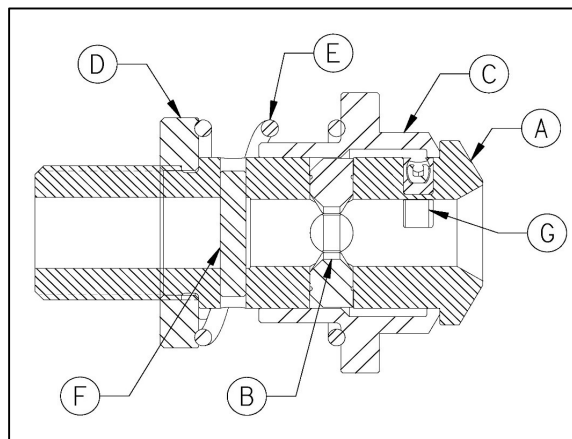




AMERICAN
BROACH & MACHINE CO

535 S. Mansfield St.
Ypsilanti, Michigan 48197 USA
tools@americanbroach.com



| Puller Size | PH Number | A BODY | B JAWS | C SLEEVE | D NUT | E SPRING | F PIN | G INDEX KEY | |
|-------------|-----------|--------|--------|----------|--------|----------|--------|-------------|---------|
| 1/4 | 4300 | 4300-1 | 4000-2 | 4200-3 | 4000-4 | 4000-5 | 4200-6 | 4300-7 | Group 1 |
| 9/32 | 4301 | 4301-1 | 4001-2 | | | | | 4300-7 | |
| 5/16 | 4302 | 4302-1 | 4002-2 | | | | | 4302-7 | |
| 11/32 | 4303 | 4303-1 | 4003-2 | | | | | 4303-7 | |
| 3/8 | 4304 | 4304-1 | 4004-2 | | | | | 4304-7 | |
| 13/32 | 4305 | 4305-1 | 4005-2 | | | | | 4304-7 | |
| 7/16 | 4306 | 4306-1 | 4006-2 | | | | | 4306-7 | |
| 15/32 | 4307 | 4307-1 | 4007-2 | | | | | 4307-7 | |
| 1/2 | 4308 | 4308-1 | 4008-2 | | | | | 4308-7 | |
| 17/32 | 4309 | 4309-1 | 4009-2 | | | | | 4309-7 | |
| 9/16 | 4310 | 4310-1 | 4010-2 | | | | | 4310-7 | |
| 19/32 | 4311 | 4311-1 | 4010-2 | | | | | 4311-7 | |
| 5/8 | 4312 | 4312-1 | 4010-2 | | | | | 4312-7 | |
| 21/32 | 4313 | 4313-1 | 4013-2 | | | | | 4313-7 | |
| 11/16 | 4314 | 4314-1 | 4014-2 | | | | | 4314-7 | |
| 23/32 | 4315 | 4315-1 | 4015-2 | | | | | 4315-7 | |
| 3/4 | 4316 | 4316-1 | 4016-2 | | | | | 4316-7 | |
| 25/32 | 4317 | 4317-1 | 4017-2 | | | | | 4317-7 | |
| 13/16 | 4318 | 4318-1 | 4018-2 | | | | | 4318-7 | |
| 27/32 | 4319 | 4319-1 | 4019-2 | | | | | 4319-7 | |
| 7/8 | 4320 | 4320-1 | 4020-2 | | | | | 4320-7 | |
| 29/32 | 4321 | 4321-1 | 4021-2 | | | | | 4321-7 | |
| 15/16 | 4322 | 4322-1 | 4022-2 | | | | | 4322-7 | |
| 32/32 | 4323 | 4323-1 | 4023-2 | | | | | 4323-7 | |
| 1 | 4324 | 4324-1 | 4024-2 | 4324-7 | | | | | |
| 1 1/16 | 4325 | 4325-1 | 4025-2 | 4225-3 | 4025-4 | 4025-5 | 4225-6 | 4325-7 | Group 2 |
| 1 1/8 | 4326 | 4326-1 | 4026-2 | | | | 4326-7 | | |
| 1 3/16 | 4327 | 4327-1 | 4028-2 | | | | 4327-7 | | |
| 1 1/4 | 4328 | 4328-1 | 4028-2 | | | | NONE | 4328-7 | |
| 1 5/16 | 4329 | 4329-1 | 4029-2 | | | | 4329-7 | | |
| 1 3/8 | 4330 | 4330-1 | 4030-2 | | | | 4330-7 | | |
| 1 7/16 | 4331 | 4331-1 | 4031-2 | | | | 4331-7 | | |
| 1 1/2 | 4332 | 4332-1 | 4032-2 | | | | 4332-7 | | |
| 1 5/8 | 4333 | 4333-1 | 4033-2 | | | | 4332-7 | | |
| 1 3/4 | 4334 | 4334-1 | 4034-2 | 4234-3 | 4034-4 | 4034-5 | NONE | 4334-7 | Group 3 |
| 1 7/8 | 4335 | 4335-1 | 4035-2 | | | | 4335-7 | | |
| 2 | 4336 | 4336-1 | 4035-2 | | | | 4335-7 | | |
| 2 1/8 | 4337 | 4337-1 | 4037-2 | 4238-3 | 4038-4 | 4038-5 | NONE | 4337-7 | Group 4 |
| 2 1/4 | 4338 | 4338-1 | 4038-2 | | | | 4338-7 | | |
| 2 3/8 | 4339 | 4339-1 | 4039-2 | | | | 4339-7 | | |
| 2 1/2 | 4340 | 4340-1 | 4040-2 | | | | 4340-7 | | |
| 2 3/4 | 4341 | 4341-1 | 4041-2 | 4241-3 | 4041-4 | 4041-5 | NONE | 4341-7 | Group 5 |
| 3 | 4342 | 4342-1 | 4042-2 | 4242-3 | 4042-4 | 4042-5 | NONE | 4342-7 | Group 6 |