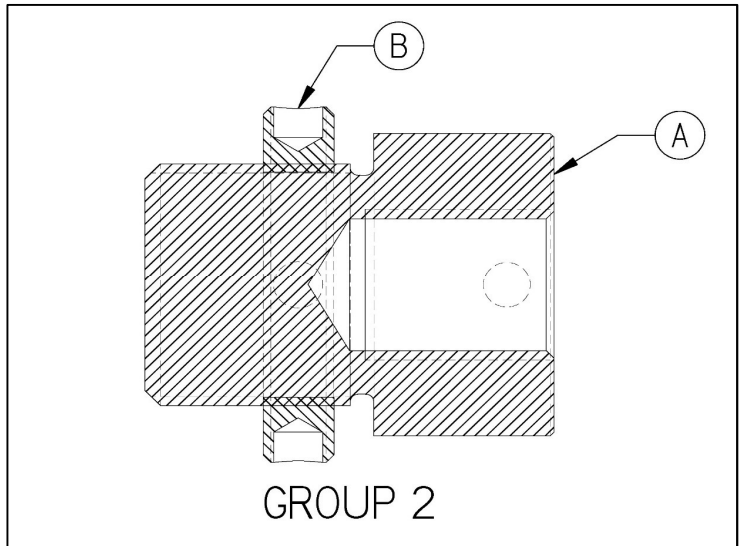
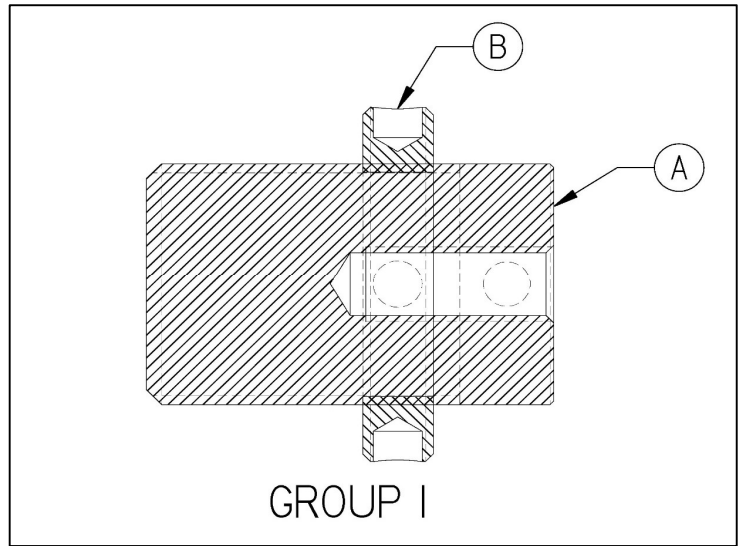




**AMERICAN**  
BROACH & MACHINE CO

535 S. Mansfield St.  
Ypsilanti, Michigan 48197 USA  
tools@americanbroach.com



Puller Thread Size	PH Number	A BODY	B NUT	
1/4-20	4400	4400-1	1918-7	Group 1
5/16-18	4410	4410-1		
3/8-16	4401	4401-1		
1/2-13	4402	4402-1		
5/8-11	4403	4403-1		
3/4-10	4404	4404-1		
7/8-9	4405	4405-1		
1-8	4406	4406-1		
1-1/8 - 7	4409	4409-1	1918-7	Group 2
1-1/4 - 7	4407	4407-1		
1-1/2 - 6	4408	4408-1		