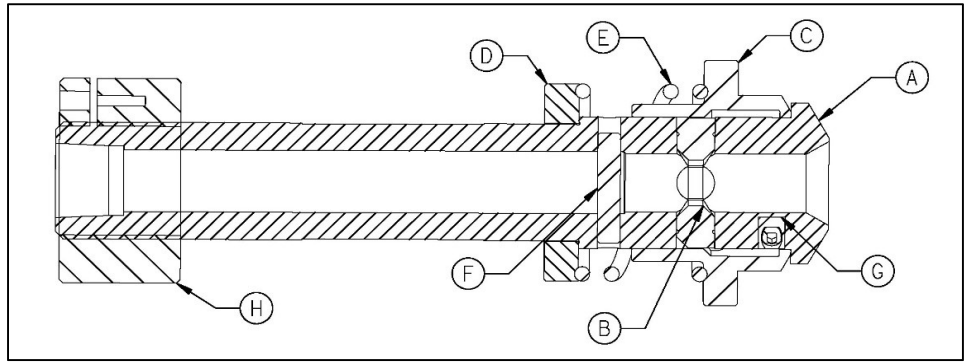




AMERICAN
BROACH & MACHINE CO

535 S. Mansfield St.
Ypsilanti, Michigan 48197 USA
tools@americanbroach.com



Puller Size	PH Number	A BODY	B JAWS	C SLEEVE	D COLLAR	E SPRING	F PIN	G INDEX KEY	H NUT	
1/4	4700	4700-1	4000-2	4200-3	4724-2	4000-5	4200-6	4300-7	4739-3	Group 1
9/32	4701	4701-1	4001-2					4301-7		
5/16	4702	4702-1	4002-2					4302-7		
11/32	4703	4703-1	4003-2					4303-7		
3/8	4704	4704-1	4004-2					4304-7		
13/32	4705	4705-1	4005-2					4305-7		
7/16	4706	4706-1	4006-2					4306-7		
15/32	4707	4707-1	4007-2					4307-7		
1/2	4708	4708-1	4008-2					4308-7		
17/32	4709	4709-1	4009-2					4309-7		
9/16	4710	4710-1	4010-2					4310-7		
19/32	4711	4711-1	4010-2					4310-7		
5/8	4712	4712-1	4010-2					4310-7		
21/32	4713	4713-1	4013-2					4313-7		
11/16	4714	4714-1	4014-2					4314-7		
23/32	4715	4715-1	4015-2					4315-7		
3/4	4716	4716-1	4016-2					4316-7		
25/32	4717	4717-1	4017-2					4317-7		
13/16	4718	4718-1	4018-2					4318-7		
27/32	4719	4719-1	4019-2					4319-7		
7/8	4720	4720-1	4020-2					4320-7		
29/32	4721	4721-1	4021-2					4321-7		
15/16	4722	4722-1	4022-2					4322-7		
32/32	4723	4723-1	4023-2					4323-7		
1	4724	4724-1	4024-2	4324-7						
1 1/16	4725	4725-1	4025-2	4225-3	4726-2	4025-5	4225-6	4325-7	4739-3	Group 2
1 1/8	4726	4726-1	4026-2					4326-7		
1 3/16	4727	4727-1	4028-2					4327-7		
1 1/4	4728	4728-1	4028-2					4328-7		
1 5/16	4729	4729-1	4029-2					4329-7		
1 3/8	4730	4730-1	4030-2					4330-7		
1 7/16	4731	4731-1	4031-2					4331-7		
1 1/2	4732	4732-1	4032-2					4332-7		
1 5/8	4733	4733-1	4033-2					4333-7		
1 3/4	4734	4734-1	4034-2	4234-3	4785-2	4034-5	4785-3	4334-7	4739-3	Group 3
1 7/8	4735	4735-1	4035-2				4335-7			
2	4736	4736-1	4035-2				NONE			
2 1/8	4737	4737-1	4037-2	4238-3	4737-2	4038-5	NONE	4337-7	4739-3	Group 4
2 1/4	4738	4738-1	4038-2					4338-7		
2 3/8	4739	4739-1	4039-2					4339-7		
2 1/2	4740	4740-1	4040-2					4340-7		
2 3/4	4741	4741-1	4041-2	4241-3	4741-2	4041-5	NONE	4341-7	4739-3	Group 5
3	4742	4742-1	4042-2	4242-3	4742-2	4042-5	NONE	4342-7	4739-3	Group 6