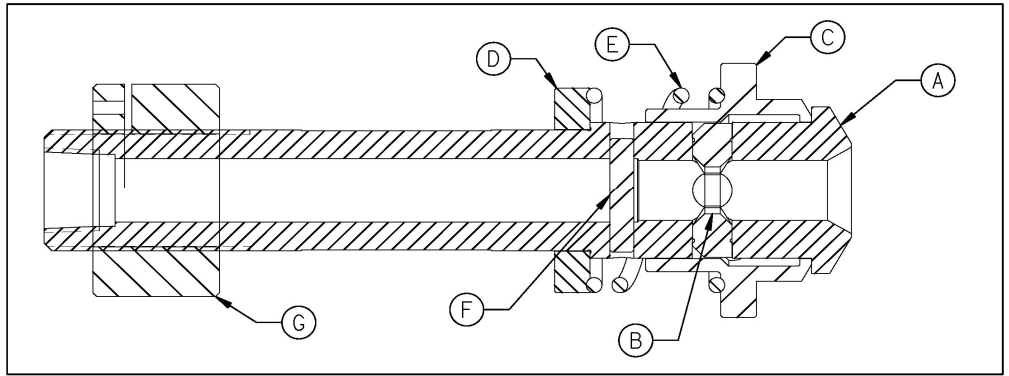




AMERICAN
BROACH & MACHINE CO

535 S. Mansfield St.
Ypsilanti, Michigan 48197 USA
tools@americanbroach.com



Puller Size	PH Number	A BODY	B JAWS	C SLEEVE	D COLLAR	E SPRING	F PIN	G NUT	
1/4	4750	4750-1	4000-2	4200-3	4724-2	4000-5	4200-6	4739-3	Group 1
9/32	4751	4751-1	4001-2						
5/16	4752	4752-1	4002-2						
11/32	4753	4753-1	4003-2						
3/8	4754	4754-1	4004-2						
13/32	4755	4755-1	4005-2						
7/16	4756	4756-1	4006-2						
15/32	4757	4757-1	4007-2						
1/2	4758	4758-1	4008-2						
17/32	4759	4759-1	4009-2						
9/16	4760	4760-1	4010-2						
19/32	4761	4761-1	4010-2						
5/8	4762	4762-1	4010-2						
21/32	4763	4763-1	4013-2						
11/16	4764	4764-1	4014-2						
23/32	4765	4765-1	4015-2						
3/4	4766	4766-1	4016-2						
25/32	4767	4767-1	4017-2						
13/16	4768	4768-1	4018-2						
27/32	4769	4769-1	4019-2						
7/8	4770	4770-1	4020-2						
29/32	4771	4771-1	4021-2						
15/16	4772	4772-1	4022-2						
32/32	4773	4773-1	4023-2						
1	4774	4774-1	4024-2						
1 1/16	4775	4775-1	4025-2	4225-3	4726-2	4025-5	4225-6	4739-3	Group 2
1 1/8	4776	4776-1	4026-2						
1 3/16	4777	4777-1	4028-2						
1 1/4	4778	4778-1	4028-2						
1 5/16	4779	4779-1	4029-2						
1 3/8	4780	4780-1	4030-2						
1 7/16	4781	4781-1	4031-2						
1 1/2	4782	4782-1	4032-2						
1 5/8	4783	4783-1	4033-2						
1 3/4	4784	4784-1	4034-2	4234-3	4785-2	4034-5	4785-3	4739-3	Group 3
1 7/8	4785	4785-1	4035-2				NONE		
2	4786	4786-1	4035-2						
2 1/8	4787	4787-1	4037-2	4238-3	4737-2	4038-5	NONE	4739-3	Group 4
2 1/4	4788	4788-1	4038-2						
2 3/8	4789	4789-1	4039-2						
2 1/2	4790	4790-1	4040-2						
2 3/4	4791	4791-1	4041-2	4241-3	4741-2	4041-5	NONE	4739-3	Group 5
3	4792	4792-1	4042-2	4242-3	4742-2	4042-5	NONE	4739-3	Group 6