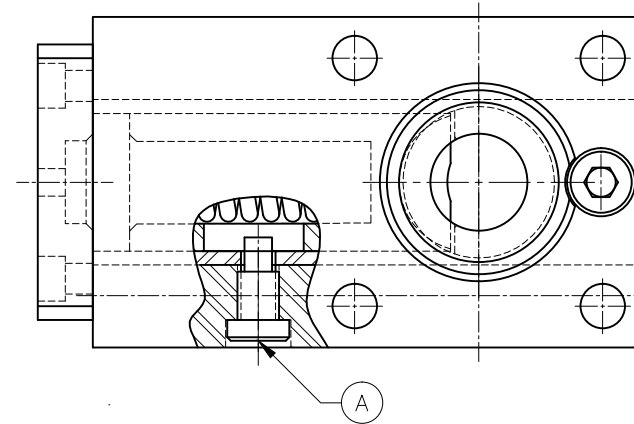
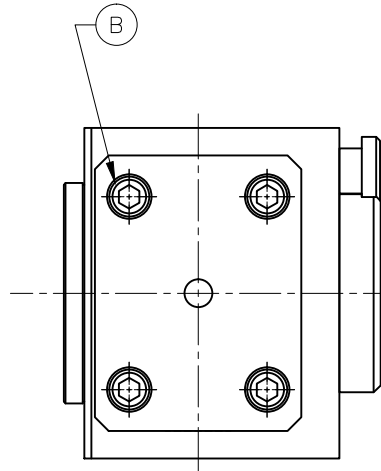
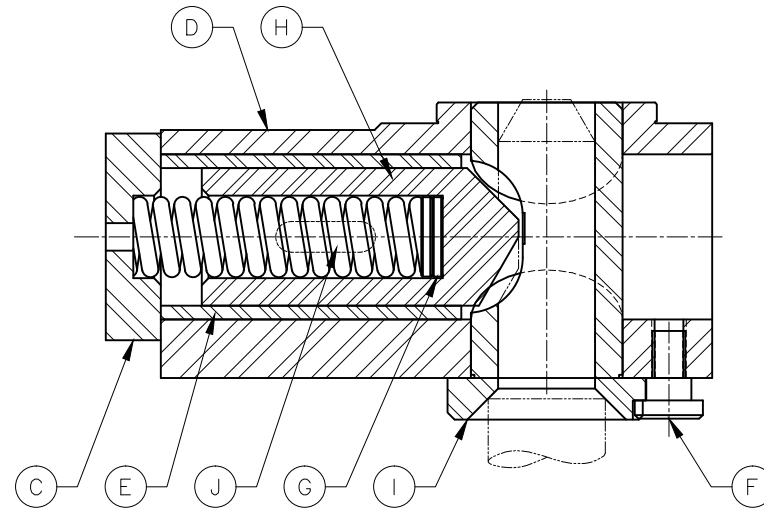


SPRING RATE	MAX BROACH WEIGHT	COLOR	PART#
92.0 LBF/IN	18 LB.	GREEN	PH-5800-7LD
141.0 LBF/IN	28 LB.	BLUE	PH-5800-7MD
362.0 LBF/IN	72 LB.	RED	PH-5800-7HD
512.0 LBF/IN	102 LB.	YELLOW	PH-5800-7EHD

MAX BROACH WEIGHT IS BASED ON .40" SPRING PRE-LOAD



RETRIEVER	SIZE	QTY. 1	QTY. 1
		BUSHING "I"	PLUNGER "H"
PH-5812	1.0000	PH-5812-5	PH-5812-4
PH-5811	.9375	PH-5811-5	PH-5811-4
PH-5810	.8750	PH-5810-5	PH-5810-4
PH-5809	.8125	PH-5809-5	PH-5809-4
PH-5808	.7500	PH-5808-5	PH-5808-4
PH-5807	.6875	PH-5807-5	PH-5807-4
PH-5806	.6250	PH-5806-5	PH-5806-4
PH-5805	.5625	PH-5805-5	PH-5805-4
PH-5804	.5000	PH-5804-5	PH-5804-4
PH-5803	.4375	PH-5803-5	PH-5803-4
PH-5802	.3750	PH-5802-5	PH-5802-4
PH-5801	.3125	PH-5801-5	PH-5801-4
PH-5800	.2500	PH-5800-5	PH-5800-4

COMMON ITEMS	J	1	GREEN DIE SPRING	PH-5800-7LD
			BLUE DIE SPRING (DEFAULT)	PH-5800-7MD
			RED DIE SPRING	PH-5800-7HD
			YELLOW DIE SPRING	PH-5800-7EHD
	G	3	1/4" (5/8" O.D.) SAE WASHER	---
	F	1	LOCK SCREW	PH-5800-11
	E	1	BRONZE BUSHING	PH-5800-6
	D	1	BODY	PH-5800-3
	C	1	SPRING CAP	PH-5800-2
	B	4	1/4-20x5/8 SHCS	STANDARD
	A	1	DOG SCREW	PH-5800-1
DETAIL NO.	NO. REQ'D		DESCRIPTION	PART NUMBER

PH-5800

DETENT RETRIEVER ASSEMBLY



YPSILANTI, MICHIGAN USA